



BlindsandCurtainsonline

Honeycomb Installation Guide – Inside Fit option

Parts

1. Installation brackets (Same bracket used for inside and face fitting)
2. Installation Screw (2 per bracket, Square head)

Bracket positioning

We will supply you with the correct number of installation brackets and they should be evenly spaced across the head rail

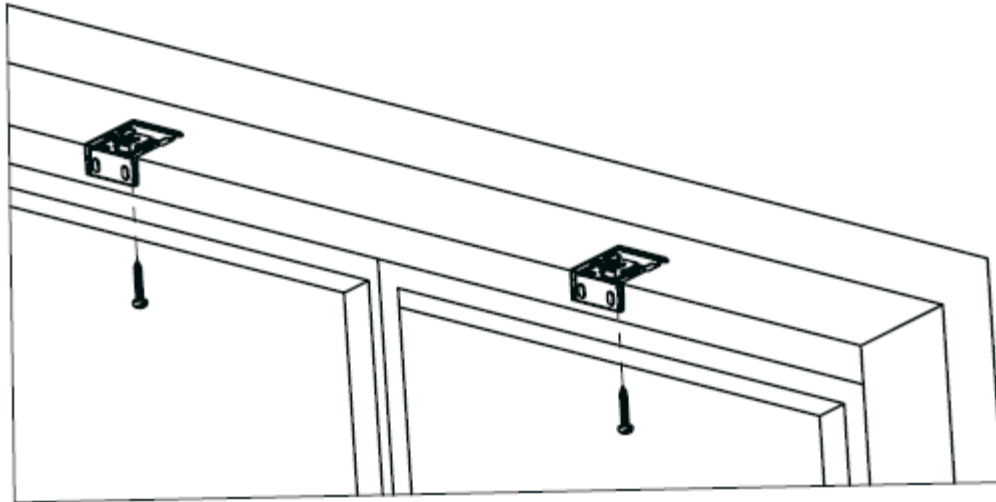


Figure 1

Step 1

Inside mounting

The brackets should be positioned evenly across the window frame as shown in Figure 3.

If you want the blind at the front edge of your existing frame, position them so that the front of the bracket is 5mm back from the front of the window frame.

Screw through the bracket either upwards as shown in Figure 3. You will be supplied 2 screws per bracket.

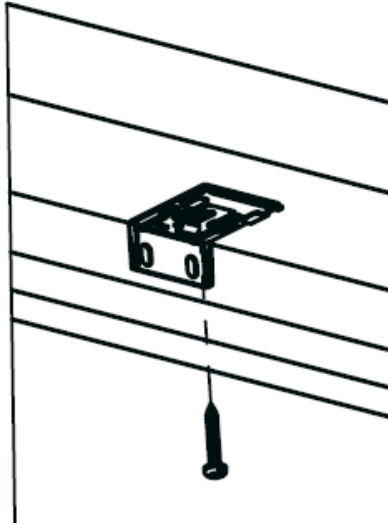


Figure 3

Step 2

Installing the blind

Once the brackets have been fitted

Lift the blind up and place the front of the bracket under the front lip of the head rail.

The brackets are spring loaded, once the front of the bracket is under the front lip of the head rail, straighten the blind and push the front of the blind toward the back of the bracket.

By pushing the blind backwards it will allow you lift the back of the blind past the back log on the bracket.

Once in position take the pressure off the front of the blind and it will spring forward slightly locking the blind into position

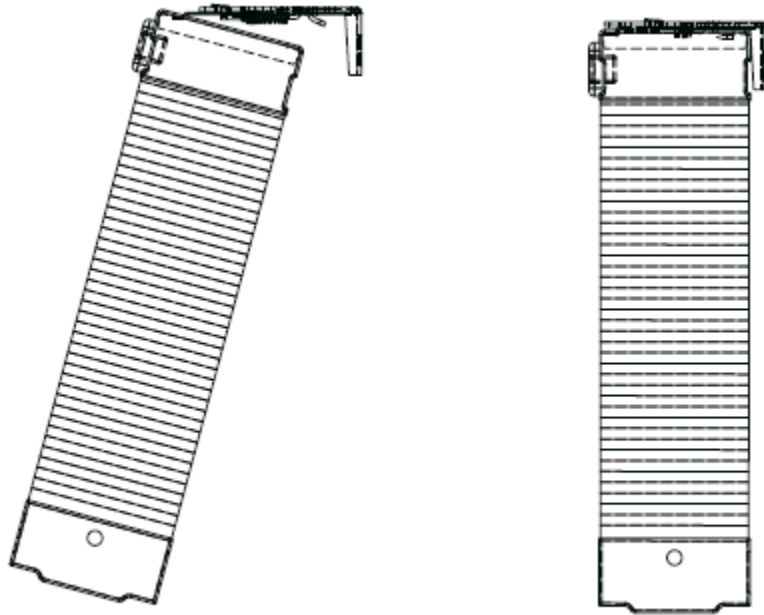


Figure 4

Removing the Blind

To remove the blind, simply reverse the procedure, push the front of the blind so the back of the head rail disengages from the rear lug on the bracket. Lower the back of the blind on an angle and left out

Honeycomb Installation Guide – Face Fit option

Parts

1. Installation brackets (Same bracket used for inside and face fitting)
2. Installation Screw (2 per bracket, Square head)

Bracket positioning

We will supply you with the correct number of installation brackets and they should be evenly spaced across the head rail

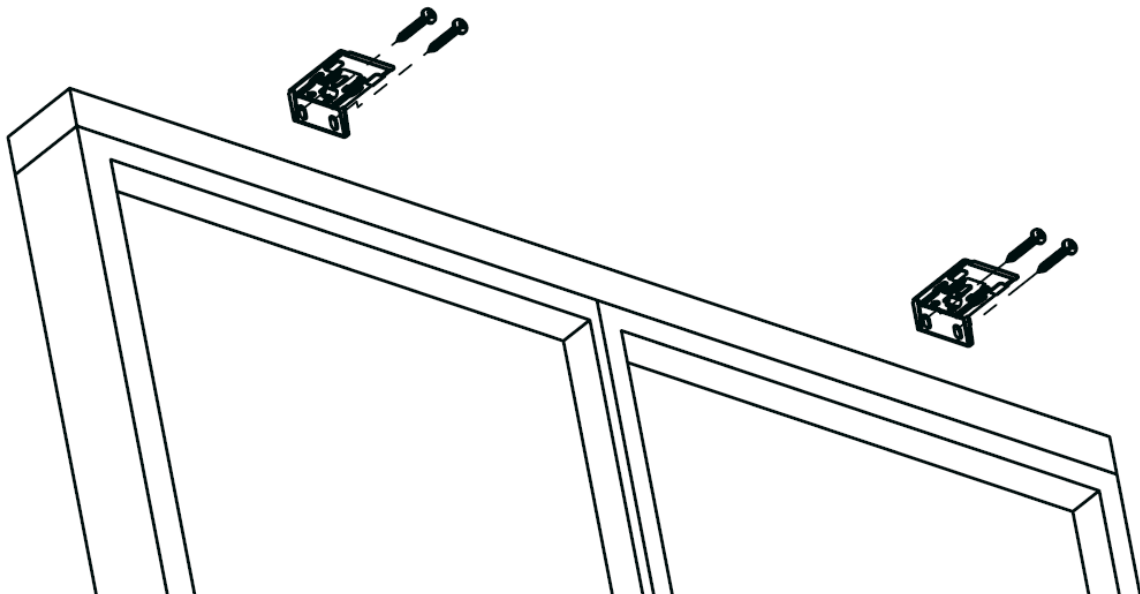


Figure 1

Step 1

Face mounting

The brackets should be positioned evenly across the window frame as shown in Figure 3.

If you want the blind at the front edge of your existing frame, position them so that the front of the bracket is 5mm back from the front of the window frame.

Screw through the bracket either upwards as shown in Figure 3. You will be supplied 2 screws per bracket.

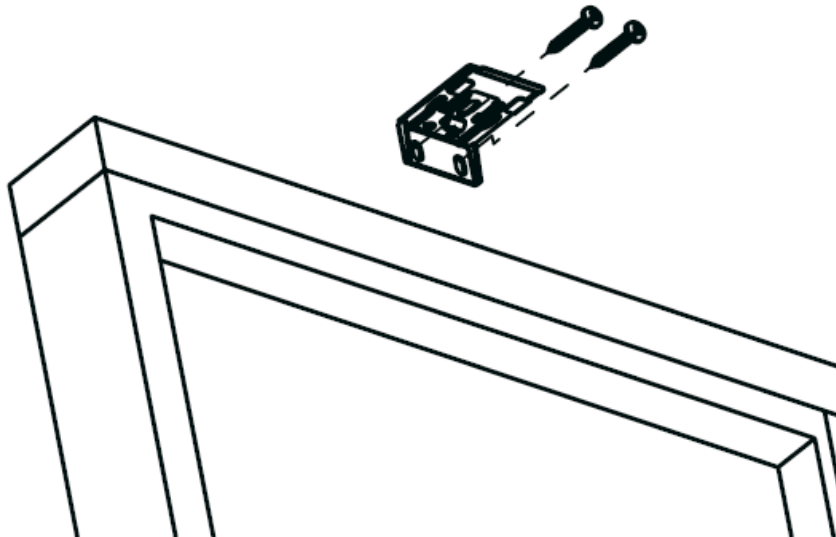


Figure 3

Step 2

Installing the blind

Once the brackets have been fitted

Lift the blind up and place the front of the bracket under the front lip of the head rail.

The brackets are spring loaded, once the front of the bracket is under the front lip of the head rail, straighten the blind and push the front of the blind toward the back of the bracket.

By pushing the blind backwards it will allow you lift the back of the blind past the back log on the bracket.

Once in position take the pressure off the front of the blind and it will spring forward slightly locking the blind into position

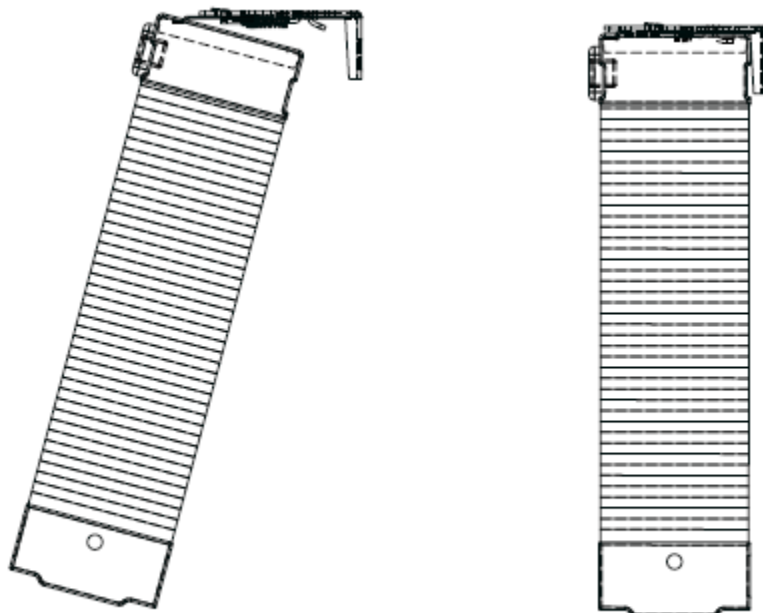


Figure 4

Removing the Blind

To remove the blind, simply reverse the procedure, push the front of the blind so the back of the head rail disengages from the rear lug on the bracket. Lower the back of the blind on an angle and left out
